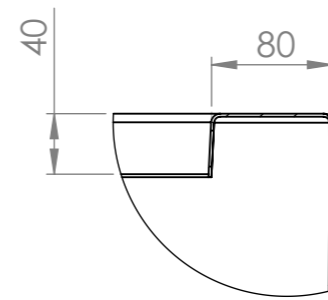


SECTION A-A



DETAIL 1
SCALE 1 : 5

